

“M” execution with clamp hubs

This type of coupling permits quick, sure fixing, without any shaft-hub backlash.

With the keyless coupling type, the torque applied for tightening

down the screws (Ms) must be as given in the table.

The M coupling type is available with or without keyway.

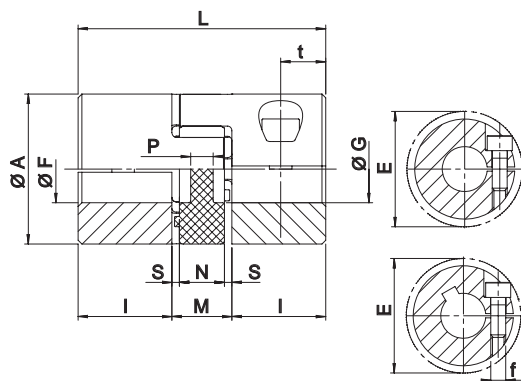


Fig. 1

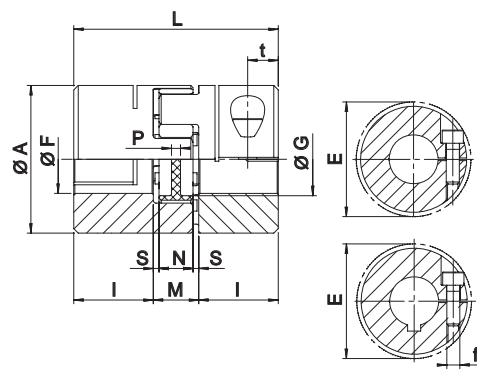


Fig. 2

Type	F min [mm]	F max [mm]	f	Ms [Nm]	Hub		n _{max} [min ⁻¹]
					W [kg]	J [kgm ²]	
ALUMINUM HUBS							
7	3	7	M2	0,35	0,003	0,085 x 10 ⁻⁶	40.000
9	4	9	M2,5	0,75	0,007	0,42 x 10 ⁻⁶	28.000
14	6	15	M3	1,4	0,018	2,6 x 10 ⁻⁶	19.000
19/24	10	20	M6	11	0,071	18,1 x 10 ⁻⁶	14.000
24/28	10	28	M6	11	0,156	74,9 x 10 ⁻⁶	10.600
28/38	14	35	M8	25	0,240	163,9 x 10 ⁻⁶	8.500
38/45	19	45	M8	25	0,440	465,5 x 10 ⁻⁶	7.100
STEEL HUBS							
42	25	50	M10	70	2,100	3.095 x 10 ⁻⁶	6.000
48	25	55	M12	120	2,900	5.160 x 10 ⁻⁶	5.600
55	35	70	M12	120	4,000	9.737 x 10 ⁻⁶	5.000
65	40	80	M14	190	5,800	17.974 x 10 ⁻⁶	4.600

From size 7 to 19/24: single slot execution

Keyway position	A [mm]	G [mm]	L [mm]	I [mm]	M [mm]	N [mm]	S [mm]	P [mm]	t [mm]	E [mm]	Fig.
ALUMINUM HUBS											
-	14	-	22	7	8	6	1,0	6	4	15,0	1
-	20	7,2	30	10	10	8	1,0	2	5	23,4	1
180°	30	10,5	35	11	13	10	1,5	2	5,5	32,2	1
120°	40	18	66	25	16	12	2,0	3,5	12	45,7	1
90°	55	27	78	30	18	14	2,0	4	12	56,4	2
90°	65	30	90	35	20	15	2,5	5,2	13,5	72,6	2
90°	80	38	114	45	24	18	3,0	5,6	16	83,3	2
STEEL HUBS											
-	95	46	126	50	26	20	3,0	5,6	20	78,8	2
-	105	51	140	56	28	21	3,5	6	21	108,0	2
-	120	60	160	65	30	22	4,0	9	26	122,0	2
-	135	68	185	75	35	26	4,5	8,3	27,5	139,0	2

From size 24/28 to 65: double slot execution

Using hub execution M without keyway, the maximum transmissible torque is the minor between the clamp-hub transmissible

torque and the value stated in the section “**Technical characteristics**”.

M _S	Screw tightening torque	Nm
W	Weight	kg
J	Coupling moment of inertia	kgm ²
n _{max}	Maximum rpm	min ⁻¹

Type	Recommended M coupling Type Hub Bore Dia. [mm] and Transmissible Torque [Nm], Valid for shaft tolerances k6																																				
	Ø 4	Ø 5	Ø 6	Ø 7	Ø 8	Ø 9	Ø 10	Ø 11	Ø 12	Ø 14	Ø 15	Ø 16	Ø 19	Ø 20	Ø 22	Ø 24	Ø 25	Ø 28	Ø 30	Ø 32	Ø 35	Ø 38	Ø 40	Ø 42	Ø 45	Ø 48	Ø 50	Ø 55	Ø 60	Ø 65	Ø 70	Ø 75	Ø 80				
7	0,7	0,8	1	1,1																																	
9	1,1	1,4	1,7	1,9	2,2	2,5	2,8	3																													
14			2,5	2,9	3,3	3,7	4,1	4,6	5	5,8	6,2	6,6																									
19/24							23	25	27	32	34	36	43	45																							
24/28							23	25	27	32	34	36	43	45	50	54	57	63																			
28/38										58	62	66	79	83	91	100	104	116	124	133	145																
38/45													79	83	91	100	104	116	124	133	145	158	166	174	187												
42																	217	243	261	278	304	330	348	365	391	417	435										
48																	299	335	359	383	419	455	479	503	539	575	599	659									
55																					356	387	407	428	458	489	509	560	611	662	713						
65																							558	586	628	670	697	767	837	907	976	1046	1116				

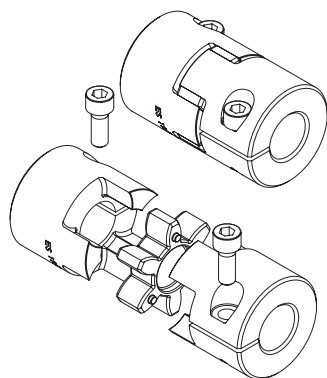


Fig. 1

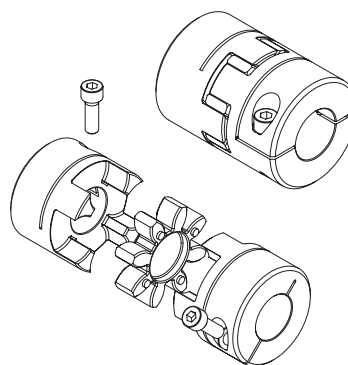


Fig. 2

Order form

