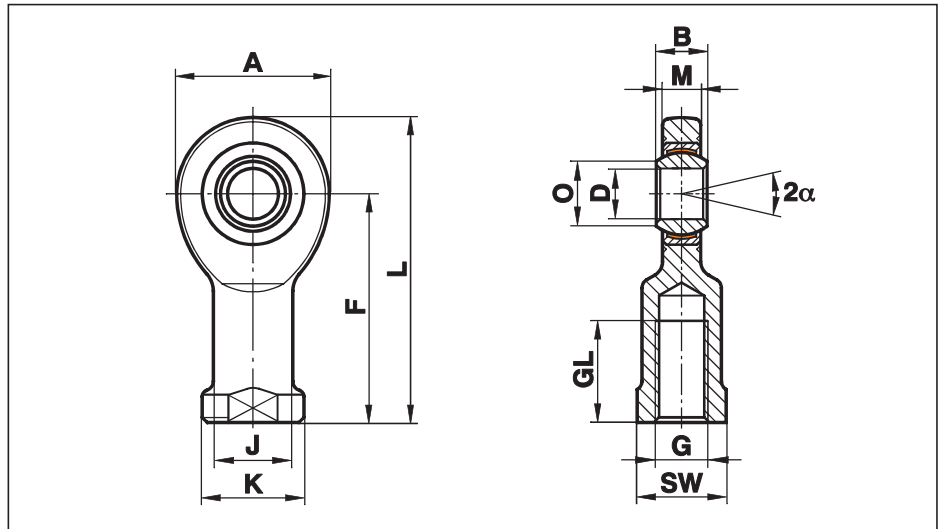


Rod Ends Series E - Maintenance Free

Series EI..D (-2RS)

Rod End Series E with female thread, and maintenance free Spherical Plain Bearing

For use at high uni-directional loads and limited fitting dimensions



Size (D)	B	M	A	F	L	K	J	O	SW	G	GL	Static load C ₀ kN	Static load C ₀ kN -2RS	Dynamic load C kN	Dynamic load C kN -2RS	Maximum Pivoting Angle α (°)	Weight g
6	6	4,4	21	30	40,0	13	10,0	8,0	11	M 6	12	10,3	-	3,6	-	13	21
8	8	6,0	24	36	48,0	16	12,5	10,2	14	M 8	16	15,8	-	5,8	-	15	38
10	9	7,0	29	43	57,0	19	15,0	13,2	17	M 10	20	23,4	-	8,6	-	12	60
12	10	8,0	34	50	67,0	22	17,5	14,9	19	M 12	23	31,0	-	11,5	-	11	96
15	12	10,0	40	61	81,0	26	21,0	18,4	22	M 14	29	42,5	42,5	17,5	25	8	180
16	14	11,0	46	67	90,0	30	24,0	20,7	27	M 16	33	54,5	54,5	22,5	32	10	220
17	14	11,0	46	67	90,0	30	24,0	20,7	27	M 16	33	54,5	54,5	22,5	32	10	220
20	16	13,0	53	77	103,5	35	27,5	24,2	32	M 20x1,5	40	62,5	62,5	31,5	45	9	350
25	20	17,0	64	94	126,0	42	33,5	29,3	36	M 24x2	48	92,0	92,0	51,0	85	7	640
30	22	19,0	73	110	146,5	50	40,0	34,2	41	M 30x2	56	124,0	124,0	66,0	110	6	930
35	25	21,0	82	125	166,0	58	47,0	39,8	50	M 36x3	60	144,0	144,0	140,0	140	6	1300
40	28	23,0	92	142	188,0	65	52,0	45,0	55	M 39x3	65	178,0	180,0	185,0	175	7	2000
40	28	23,0	92	142	188,0	65	52,0	45,0	55	M 42x3	65	102,5	102,5	104,0	175	7	2060
45	32	27,0	102	145	196,0	70	58,0	50,8	60	M 42x3	65	240,0	240,0	240,0	225	7	2500
45	32	27,0	102	145	196,0	70	58,0	50,8	60	M 45x3	65	141,0	141,0	135,0	225	7	2640
50	35	30,0	112	160	216,0	75	62,0	56,0	65	M 45x3	68	290,0	290,0	295,0	275	6	3500
50	35	30,0	112	160	216,0	75	62,0	56,0	65	M 52x3	68	140,0	140,0	166,0	275	6	3400
60	44	38,0	135	175	242,5	88	70,0	66,8	75	M 52x3	70	450,0	450,0	460,0	430	6	5550
60	44	38,0	135	175	242,5	88	70,0	66,8	75	M 60x3	70	-	183,0	-	430	6	5430
70	49	42,0	160	200	280,0	98	80,0	77,9	85	M 56x4	80	610,0	610,0	590,0	550	6	8600
70	49	42,0	160	200	280,0	98	80,0	77,9	85	M 72x4	80	-	306,0	-	550	6	8120
80	55	47,0	180	230	320,0	110	95,0	89,4	100	M 64x4	85	695,0	750,0	750,0	705	6	12000
80	55	47,0	180	230	320,0	110	95,0	89,4	100	M 80x4	85	-	387,0	-	705	6	11800

Materials:

Housing: up to size 10 turned, from free-cutting steel to 9SMnPb28K, 12L13, galvanised
from size 12 forged from heat-treated steel to C45, Aisi 1045, galvanised

Bearing: maintenance free steel/PTFE bearing GE...EC (see page 70)
from size 15 available sealed from both sides (-2RS)
from size 55 only available sealed from both sides (-2RS)

⚠ Please note: The dynamic load "C" of the bearing of some rod ends is in some sizes higher than the static load "C₀" of the rod end.